
THINK City

Big Idea – Small car



THINKcity

Specifications

Top Speed: 70+ mph (US spec)
Range: 100+ miles*

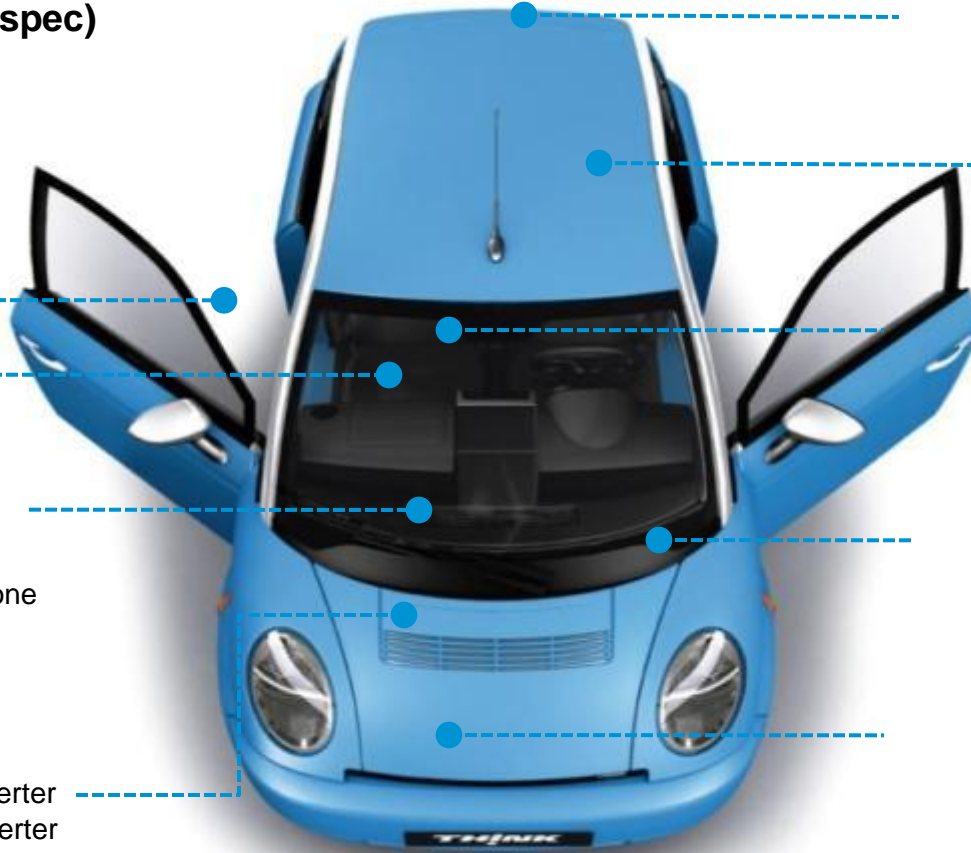
Interior: 100% recyclable polypropylene

Battery weight 540-572 lbs.

Mindbox (optional)

- 2-way communication system
- Connected to Think service phone
- State of charge
- GPS

AC/DC converter
DC/DC converter
Charger



Spacious luggage compartment with 29 cu. ft. volume

Exterior: Unpainted, recyclable ABS plastic

Microphone to roadside assistance

Charging 10-16 Amp
0-80%: 9,5 hours, 230 VAC/14A
0-100%: 13 hours, 230 VAC/14A
Optional fast charger (2010)

Motor and gear:
• 3 phase asynchronous electric motor
• 1:10 gearbox
• Differential gear

* Based on Federal Urban Driving Schedule (FUDS).

Structure; Lower Frame



Structure; Upper Frame

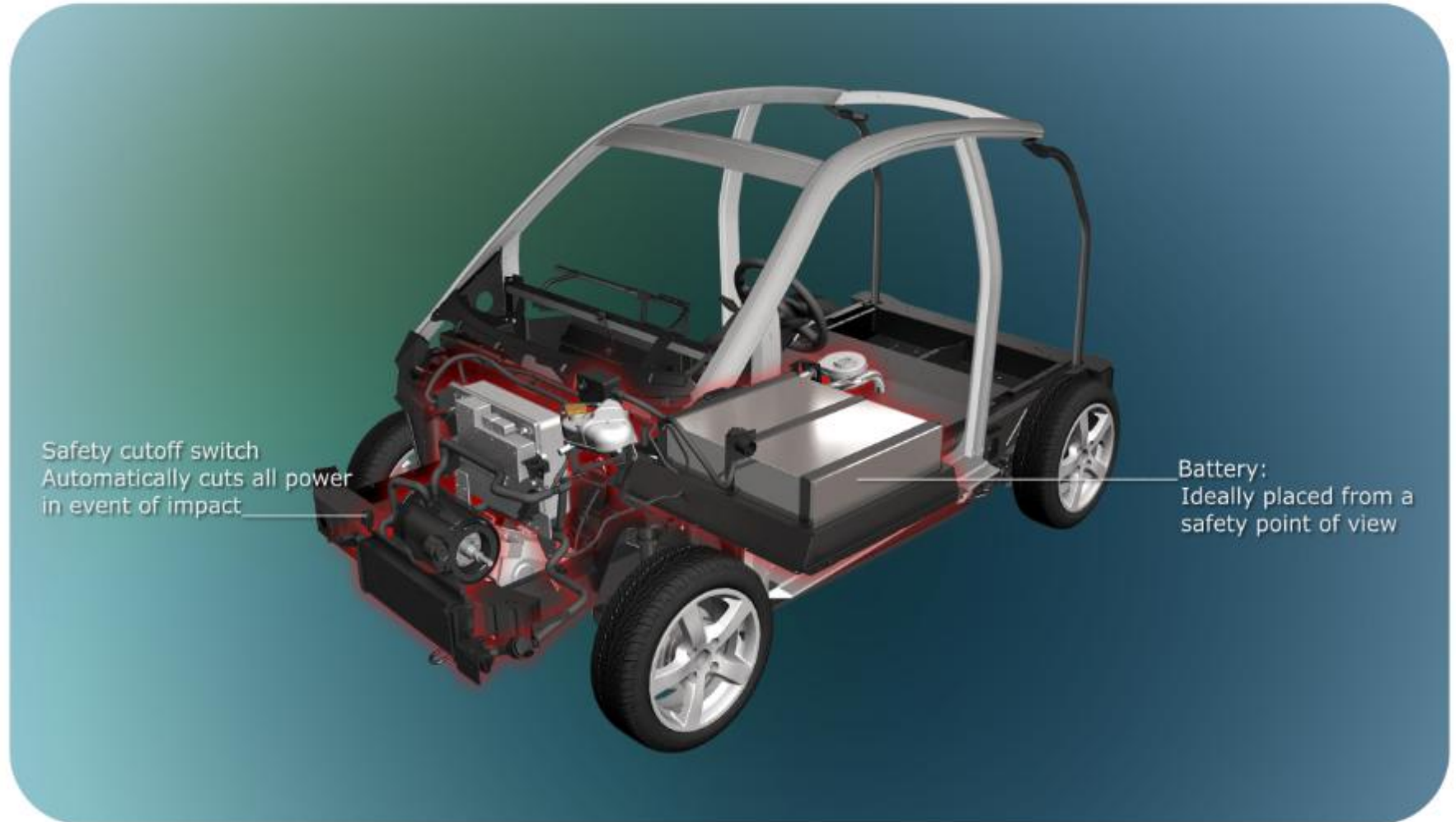


Structure; Door Frames

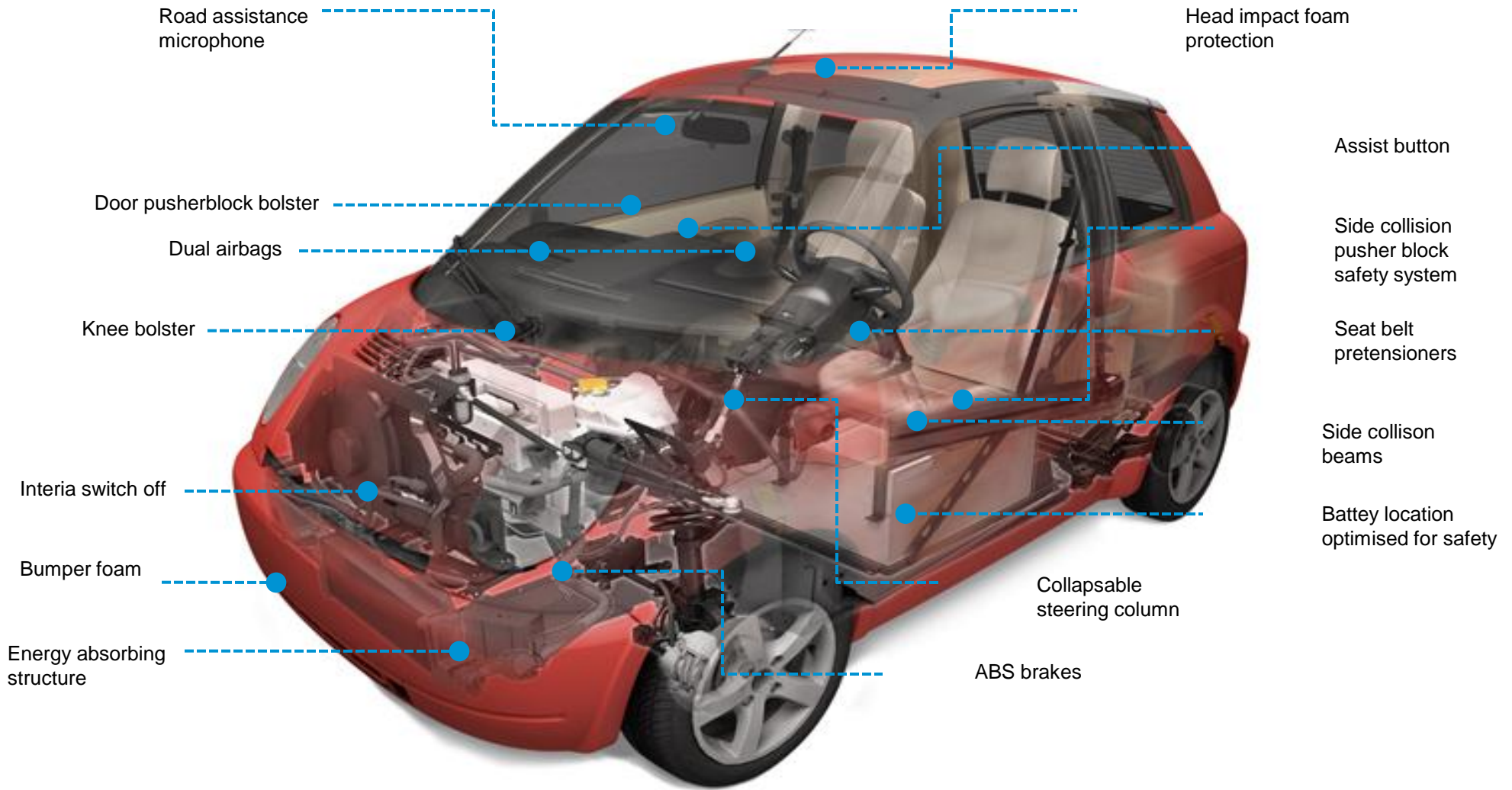


Side impact beam

Energy and Drive system



Safety Equipment



Testing

- Meets all applicable NHTSA requirements – the same as any other vehicle on the road today.
- THINK City has been put through extensive testing and validation:
 - OEM Durability Testing
 - Hundreds of computer simulations and correlations
 - 50 sled tests
 - 20 + full vehicle crash tests
 - Deep water wading
 - Total submergence in salt water with all electrical systems activated





Changing the world – one car at a time TM

THINK